

CERTIFICATE OF PRODUCT CONFORMITY

Dubai Central Laboratory Department (DCLD) of Dubai Municipality
hereby attests that the product(s)

Steel for the Reinforcement of Concrete - Weldable Reinforcing Steel

(Details as per the attached Scope of Certification)

manufactured by:

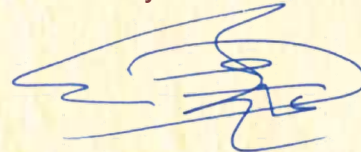
SHATTAF STEEL IND. CO. LLC

P.O. Box 6521, Wasit Street Industrial Area 6, Sharjah, UAE

have been assessed in accordance with DCLD Document Ref. No. DM-DCLD-RD-DP21-2001 (IC) "General Rules for DM third party product certification system through factory assessment" and the relevant Specific Rules, and were found in conformity with the standard specification:

BS 4449: 2005+A3:2016

Accordingly, DCLD hereby authorizes the above manufacturer
to affix the DCL Product Conformity Mark on the above-mentioned product(s).



for / ENGR. AMIN AHMED AMIN
Director, Dubai Central Laboratory Department
Dubai Municipality



Certificate No: CL17020522
Valid Until: 18/11/2019



Current Issue Date: 19/11/2018
Original Issue Date: 19/11/2017

The attached Scope of Certification bearing the same Certificate Number forms an integral part of this Certificate.
This Certificate is an electronic document subject to the Terms and Conditions of the Product Certification System and shall not be reproduced except in full.

DUBAI CENTRAL LABORATORY DEPARTMENT
DCL PRODUCT CONFORMITY CERTIFICATION SCHEME
SCOPE OF CERTIFICATION
FOR CERTIFICATE NO. CL17020522

Certificate Issued To:	SHATTAF STEEL IND. CO. LLC P.O. Box 6521, Wasit Street Industrial Area 6 Sharjah, UAE
Applicable Standard Specification:	BS 4449:2005+A3:2016 - Specification for Steel for the Reinforcement of Concrete-Weldable reinforcing steel-Bar, coil and decoiled product
Applicable Specific Rules:	RD-DP21-2129 (IC) "Specific Rules for Certification of Reinforcing Steel Bars (as per BS 4449:2005+A3:2016) Through Factory Assessment".

S/N	PRODUCT DESCRIPTION	BRAND NAME	PRODUCT DETAILS
1	Steel for the reinforcement of concrete	As per attached DCL Approved Bar Markings in accordance with RD-DP21-2091 (IC)	Grade B500B in Bars Diameter sizes : 8 mm to 25 mm

NOTE1: This document forms part of the Certificate of Product Conformity bearing the same certificate number.

NOTE2: The above product shall bear the DCL Conformity Mark.

Original Issue Date : 19 November 2017

Current Issue Date : 19 November 2018

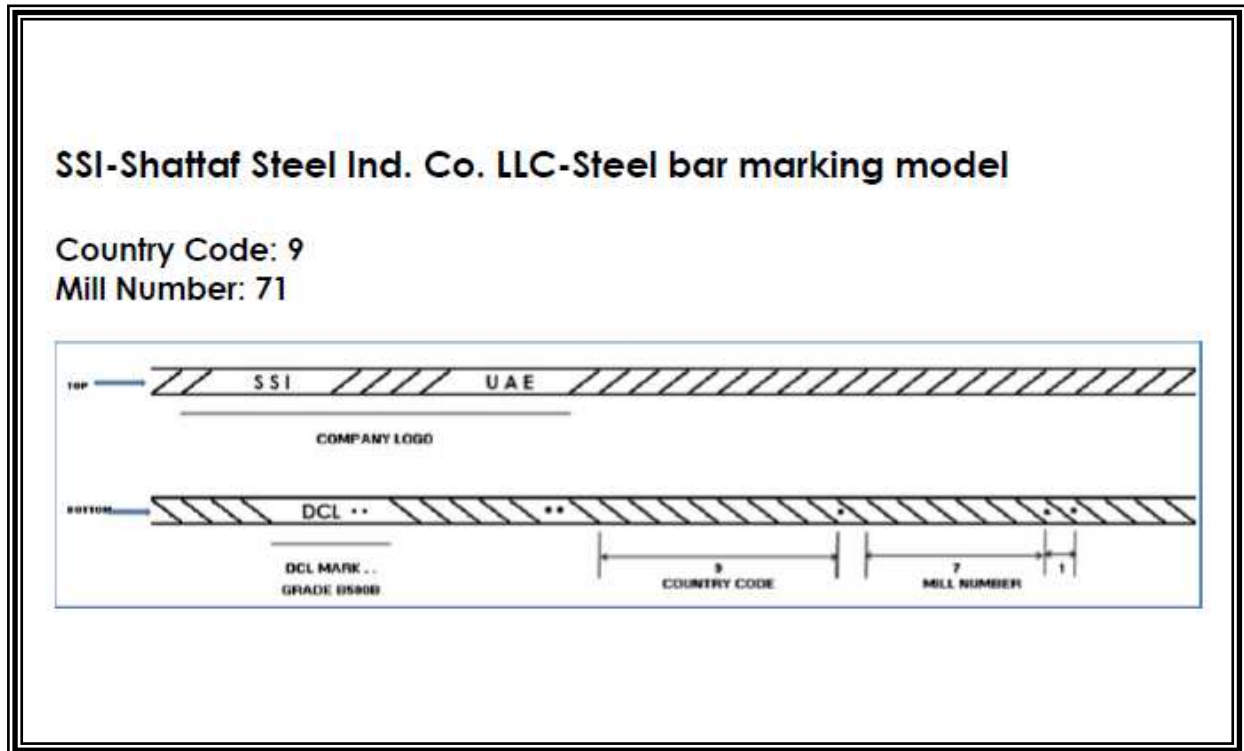
Valid Until : 18 November 2019

ARIF HUSAIN AL MARZOOQI
Products Conformity Assessment Section Manager
Dubai Central Laboratory Department

DUBAI CENTRAL LABORATORY DEPARTMENT
PRODUCTS CONFORMITY ASSESSMENT SECTION

APPROVED STEEL BAR MARKING
Certification Scheme for Reinforcing Steel

CERTIFIED FACTORY	SHATTAF STEEL IND. CO. LLC
FACTORY LOCATION	P.O. Box 6521, Wasit Street Industrial Area 6, Sharjah, UAE
CERTIFICATE NUMBER	CL17020522
COUNTRY CODE	9
MILL NUMBER	71
STANDARD SPECIFICATION	BS 4449:2005 + A3: 2016



NOTE: Please refer to the Certificate mentioned above and its Scope of Certification for details regarding the validity and the sizes covered.

APPROVED BY:



ARIF HUSAIN AL MARZOOQI

Products Conformity Assessment Section Manager